

TVN S523 01 AB0 Engineering Specification

1. Scope

TVN S523 01 AB0's are TVS diodes designed to protect one power/control line or one low speed signal line from overvoltage hazard of Electrostatic Discharge (**ESD**), Electrical Fast Transients (**EFT**) and **Lightning**.

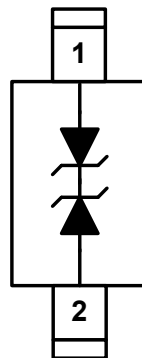
These interfaces can be used in computer interfaces protection, microprocessors protection, serial and parallel ports protection, control signal lines protection, power lines on PCB protection, latchup protection, etc. The ESD protection of TVS arrays meets the immunity standard of IEC 61000-4-2, level 4 ($\pm 15\text{kV}$ air, $\pm 8\text{kV}$ contact discharge).

2. Explanation of Part Number

<u>TV</u>	<u>N</u>	<u>S523</u>	<u>01</u>	<u>AB0</u>
(1)	(2)	(3)	(4)	(5)

- (1) Product Type : TV=TVS Diode
- (2) Capacitance Code : N=Normal Capacitance
- (3) Package Size Code
- (4) Channel Code : 01=1 Channels
- (5) Specialized Specification Code

3.. Circuit Diagram /Pin Configuration



SOD-523 (Top View)

4.. Specifications

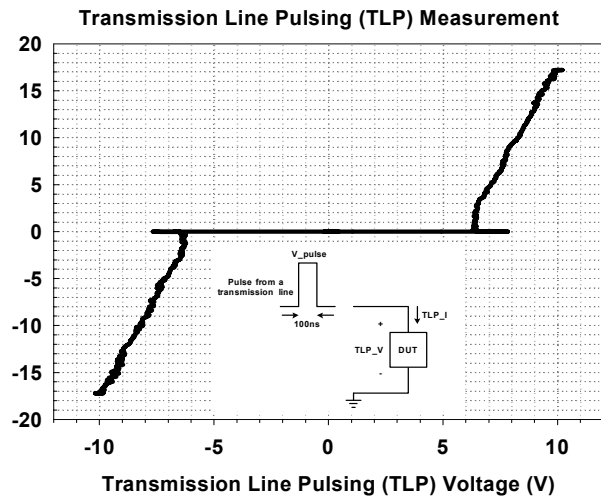
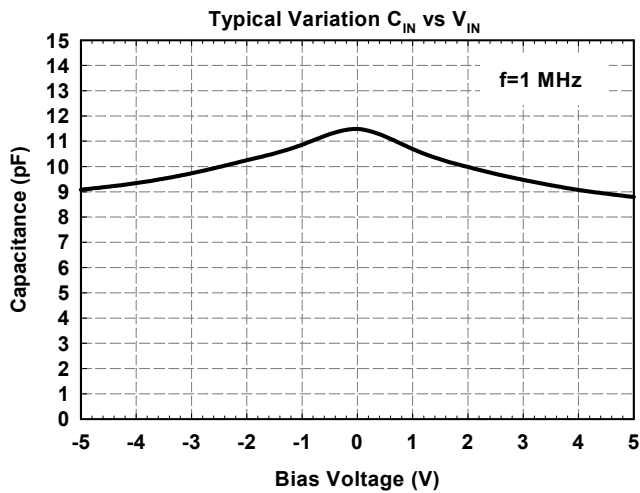
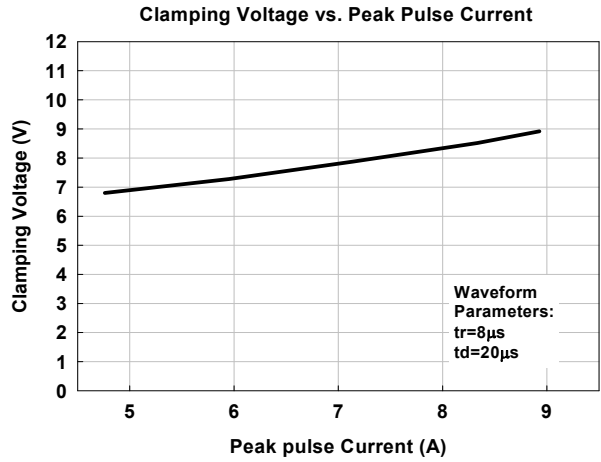
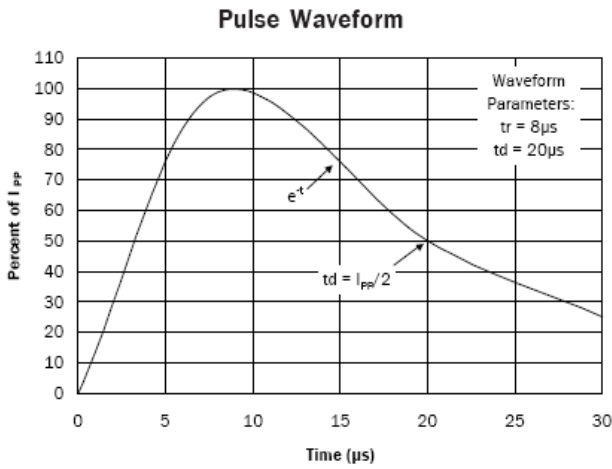
4.1. ABSOLUTE MAXIMUM RATINGS

PARAMETER	PARAMETER	RATING	UNITS
Peak Pulse Current (tp =8/20 μ s)	I_{PP}	8.5	A
Operating Supply Voltage (pin-1,-2 to pin-3)	V_{DC}	6	V
ESD per IEC 61000-4-2 (Air)	V_{ESD-1}	± 22	kV
ESD per IEC 61000-4-2 (Contact)		± 15	
Lead Soldering Temperature	T_{SOL}	260 (10 sec.)	$^{\circ}C$
Operating Temperature	T_{OP}	-55 to +125	$^{\circ}C$
Storage Temperature	T_{STO}	-55 to +150	$^{\circ}C$

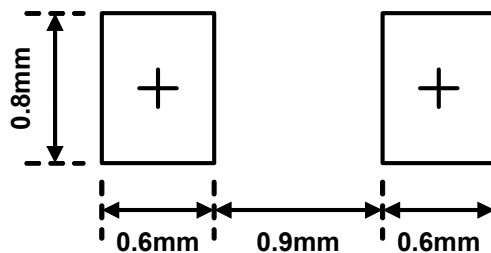
4.2. ELECTRICAL CHARACTERISTICS

PARAMETER	SYMBOL	CONDITIONS	MINI	TYP	MAX	UNITS
Reverse Stand-Off Voltage	V_{RWM}	$T=25^{\circ}C$.			5	V
Reverse Leakage Current	I_{Leak}	$V_{RWM} = 5V, T=25^{\circ}C$.			2.5	μA
Reverse Breakdown Voltage	V_{BV}	$I_{BV} = 1mA, T=25^{\circ}C$.	6.1		9	V
Clamping Voltage	V_{CL}	$I_{PP}=5A, tp=8/20 \mu s, T=25^{\circ}C$.		7	8	V
Clamping Voltage	V_{CL}	$I_{PP}=7A, tp=8/20 \mu s, T=25^{\circ}C$.		8	9	V
ESD Holding Voltage	V_{hold}	IEC 61000-4-2 6kV, $T=25^{\circ}C$, Contact mode.		10.5		V
Channel Input Capacitance	C_{IN}	$V_R = 0V, f = 1MHz, T=25^{\circ}C$.		11.5	13.5	pF

4.3. TYPICAL CHARACTERISTICS



5.. LAND LAYOUT



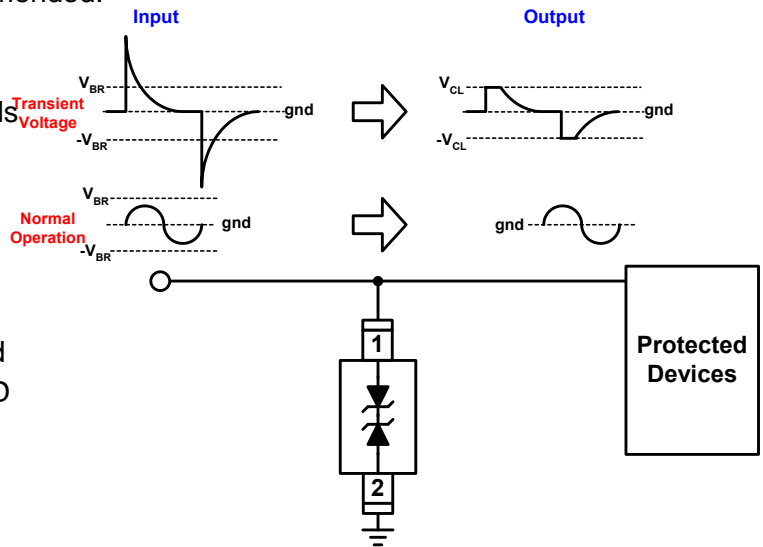
Notes: This LAND LAYOUT is for reference purposes only. Please consult your manufacturing partners to ensure your company's PCB design guidelines are met.

6.. Application information

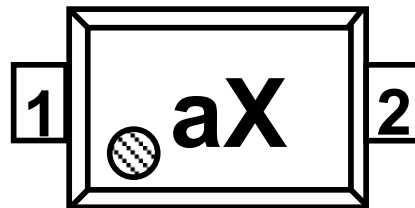
In order to obtain enough suppression of ESD induced transient, good circuit board is critical.

Thus, the following guidelines are recommended:

- Minimize the path length between the protected lines and this device.
- Place this device near the input terminals or connectors to restrict transient coupling.
- The ESD current return path to ground should be kept as short as possible.
- Use ground planes whenever possible.
- NEVER route critical signals near board edges and near the lines which the ESD transient easily injects to.



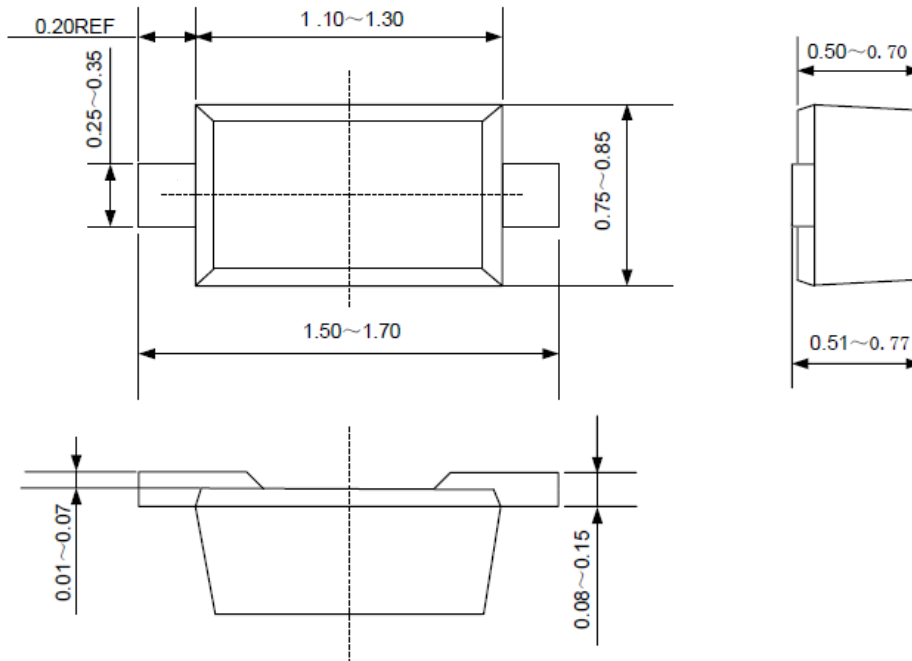
7.. MARKING CODE: Marking Code:aX



a = Device Code
X = Date Code

8.. Mechanical Details

SOD-523 PACKAGE DIAGRAMS



- 8.1. Taping Quantity:
3,000pcs/ Reel (for 7" Reel)